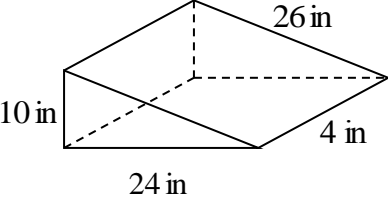
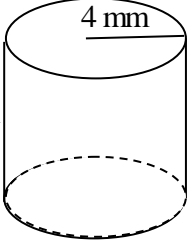
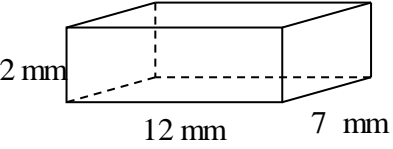
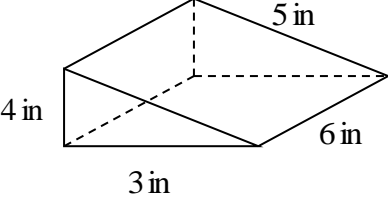
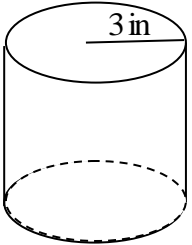
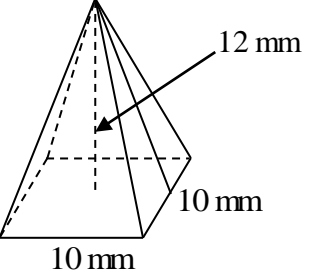
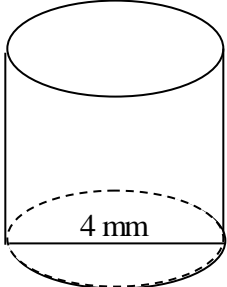
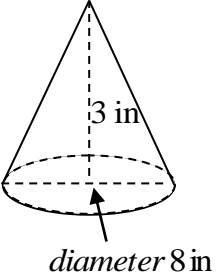


Tic-Tac-Toe

Directions: *The shortest partner will go first. The first person will solve a problem, if it is correct, he/she can put an X or an O in a box. Show all work in the spaces below. If you and your partner determine later in the game that an answer is wrong, you **must** change the X or O to the other symbol.*

Game 1

<p>An edge of a cube has a length of 5 in. Find its volume.</p>	<p>Find the volume of the solid.</p> 	<p>Find the volume of the solid.</p> 
<p>Find the volume of the solid.</p> 	<p>Find the volume of the solid.</p> 	<p>Find the volume of the solid.</p> 
<p>Find the volume of the solid.</p> 	<p>Find the volume of the solid.</p> 	<p>Find the volume of the solid.</p> 

Answer Key

168 mm^3	125 in^3	$192\pi \text{ mm}^3$
$90\pi \text{ in}^3$	36 in^3	400 mm^3
$16\pi \text{ in}^3$	$36\pi \text{ mm}^3$	480 in^3